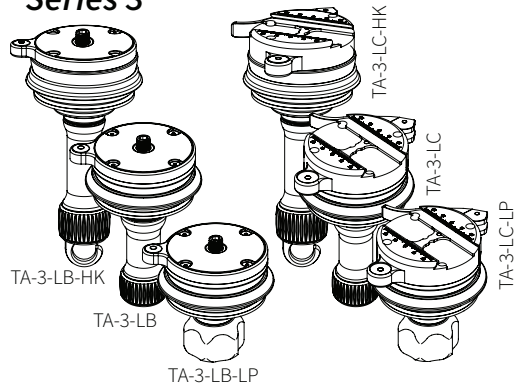




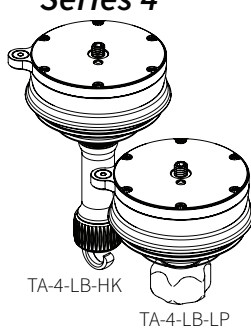
1146 Farmhouse Lane, San Luis Obispo, CA 93401 USA  
 1-805-528-6321 | 1-888-777-5557  
 www.ReallyRightStuff.com

## Leveling Bases

### Series 3



### Series 4



### Specifications

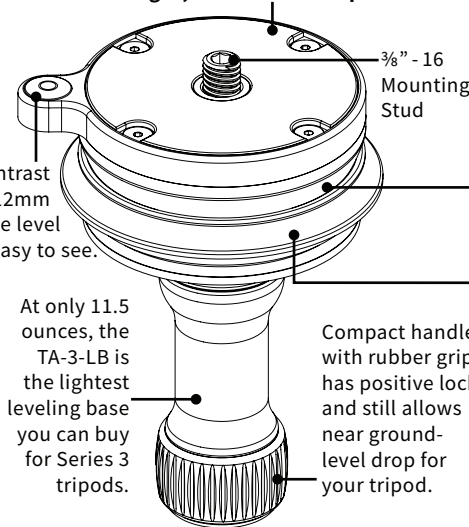
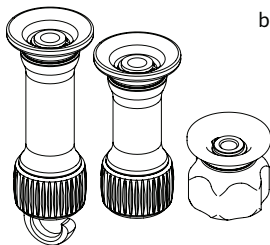
Degrees of Leveling .....	15° in any direction
Series 3 Load Capacity.....	25 pounds (11.3kg)
Series 4 Load Capacity.....	50 pounds (22.7kg)

## LEVELING BASES WITH PLATFORMS\* FOR DIRECT MOUNTING OF A TRIPOD HEAD

Low friction polymer anti-jam plate allows smooth installation & release of your tripod head. **Install your tripod head hand tight; do not over-torque.**

### HANDLE OPTIONS

- Longer, with hook
- Standard, no hook
- Low-Profile



At only 11.5 ounces, the TA-3-LB is the lightest leveling base you can buy for Series 3 tripods.

Compact handle with rubber grip has positive lock and still allows near ground-level drop for your tripod.

\*If you purchased the leveling base with platform, but wish to replace it with the clamp, purchase TA-LBC separately (**for Series 3 leveling bases only**).

## LEVELING BASES WITH CLAMPS ALLOWS FAST SWAPPING BETWEEN HEADS\*

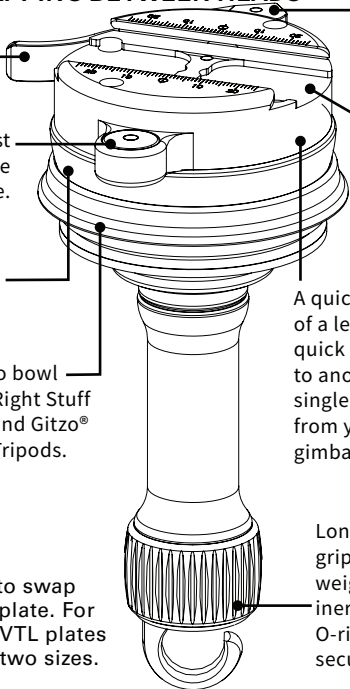
Lever made of corrosion resistant stainless steel.

High contrast 15mm bullseye level is easy to see.

15° of Leveling: Anodized 6061-T6 aluminum half-ball floats effortlessly.

TA-3-VB 75mm video bowl  
Video bowl fits Really Right Stuff Series 3 Versa tripods and Gitzo® Series 3 Systematic Tripods.

\*Each head you want to swap needs a quick-release plate. For round bases, our TH-DVTL plates are ideal and come in two sizes.



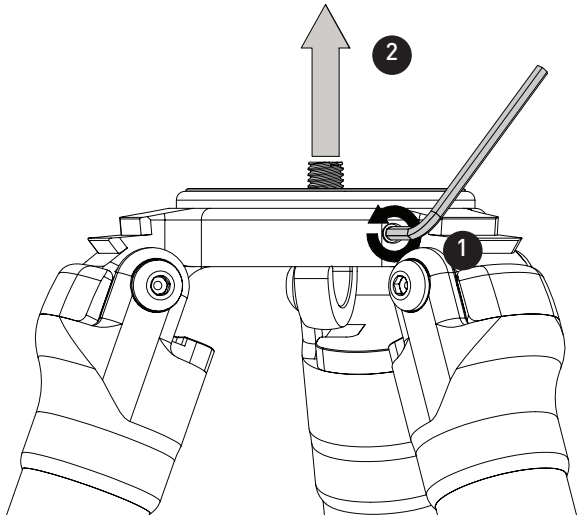
Cam mechanism provides 50 pounds of holding pressure on most RRS style plates (not compatible with AS P0 or Novoflex).

Relief grooves allow greater adjustment for plates with safety stops.

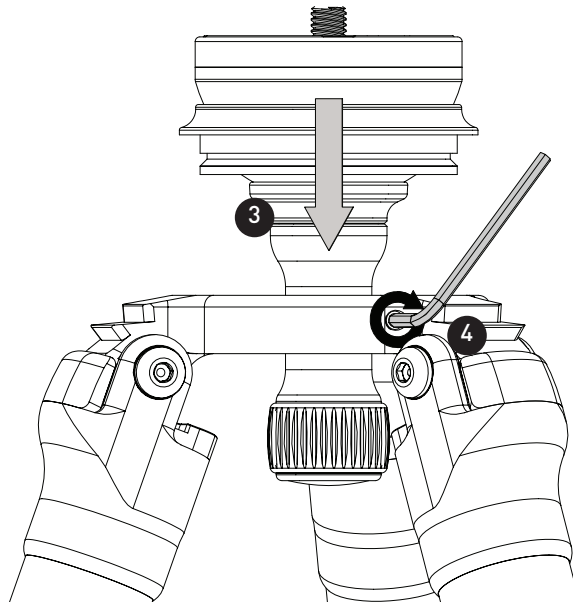
A quick-release clamp on top of a leveling base facilitates quick swapping from one head to another. Now you can use a single tripod and switch quickly from your ballhead to your gimbal head or video head.

Longer handle is easier to grip. Integrated hook allows weight to hang and increase inertia of the tripod. APB O-ring keeps removable hook secure.

1. To remove platform from Versa tripod, use  $\frac{1}{8}$ " hex key (included with tripod) to loosen all three SureGrip™ set screws around Apex. Two rotations are sufficient; complete removal is not required. *NOTE: Medium-strength thread locking compound has been applied to set screw threads to prevent accidental loosening. Expect some resistance when loosening/tightening screws.*
2. Remove Apex platform by pushing it upward.



3. Insert TA-3-LB leveling base with its video bowl into the Apex. Make sure it is fully seated.
4. Tighten all three SureGrip™ set screws.



## MAINTENANCE

### General Care

The leveling base is finished with a protective anodize plating that protects it from corrosion and mild abrasion. It will not protect it from scraping or dropping on rocks/concrete/etc. Take whatever precautions you can to prevent your leveling base from getting fouled in mud, dirt, or sand, especially between the leveling base and the video bowl.

### Cleaning

Lightly rinse mud or salt water with fresh water and then thoroughly dry. If fine sand/grit fouls the video bowl, separate the leveling base from the bowl and rinse under a gentle stream of water, then thoroughly dry.

### Lubrication

NO LUBRICATION IS REQUIRED BY THE USER. Just keep the components free from contamination to maintain smooth action.

## GUARANTEE

ALL REALLY RIGHT STUFF BRAND PRODUCTS ARE GUARANTEED TO THE ORIGINAL PURCHASER TO BE FREE OF DEFECTS IN MATERIALS OR WORKMANSHIP FOR FIVE (5) YEARS FROM THE DATE OF PURCHASE. PRODUCTS WILL BE REPAIRED OR REPLACED AT OUR OPTION.