



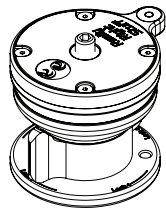
Really Right Stuff®

1146 Farmhouse Lane, San Luis Obispo, CA 93401 USA

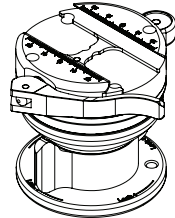
1-805-528-6321 | 1-888-777-5557

www.ReallyRightStuff.com

UNIVERSAL LEVELING BASE



TA-U-LB
with platform



TA-U-LC
with clamp

SPECIFICATIONS

Degrees of Float.....	15° in any direction
Load Capacity	35 pounds (16kg)
Height with Platform/Clamp.....	2.7" (68mm)/3.0" (82mm)
Weight with Platform/Clamp.....	11.9 oz (338g)/14.4 oz (407g)
Bullseye Level in Platform/Clamp.....	12mm/15mm
Mounting Base	2.9" (73mm) diameter with 3/8"-16 socket

TA-U-LB with Platform:
For direct mounting of a tripod head.

Low friction polymer anti-jam plate allows for smooth installation & release of your tripod head. Install your tripod head hand tight; do not over-torque.

High contrast 12mm bullseye level is easy to see.

3/8" - 16
Mounting Stud

Comfortable butterfly-shaped locking ring delivers fast and solid lockup with minimal effort.

15° of Leveling: Anodized 6061-T6 aluminum half-ball floats effortlessly.

Laser engraved arrows show the direction for locking.

TA-U-LC with Lever-Release Clamp:
Allows fast swapping between different heads.*

Cam mechanism provides 50 pounds of holding pressure on most RRS style plates (not compatible with AS PO or Novoflex).

High contrast 15mm bullseye level is easy to see.

Relief grooves allow greater adjustment for plates with safety stops.

Lever made of corrosion resistant stainless steel.

Socket threaded 1/4"-20 for optional set screw (included).

*Heads must be fitted with quick-release plate.

MAINTENANCE

General Care

The leveling base is anodized to protect against corrosion and mild abrasion. It will not protect the leveling base from scraping or dropping on rocks/concrete/etc. Take precautions to prevent your leveling base from getting fouled in mud, dirt, or sand.

Cleaning

Lightly rinse mud or salt water under a gentle stream of fresh water, then thoroughly dry.

Lubrication

NO LUBRICATION IS REQUIRED BY THE USER. Just keep the components free from contamination to maintain smooth action.

GUARANTEE

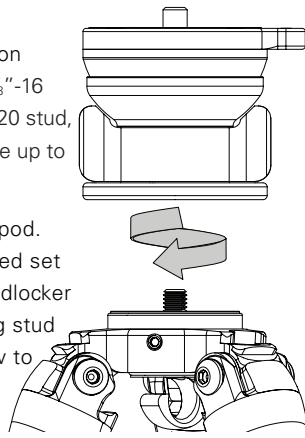
ALL REALLY RIGHT STUFF BRAND PRODUCTS ARE GUARANTEED TO THE ORIGINAL PURCHASER TO BE FREE OF DEFECTS IN MATERIALS OR WORKMANSHIP FOR FIVE (5) YEARS FROM THE DATE OF PURCHASE. PRODUCTS WILL BE REPAIRED OR REPLACED AT OUR OPTION.

® , ™, © 2014 Really Right Stuff, LLC. All rights reserved.

Install to Platform

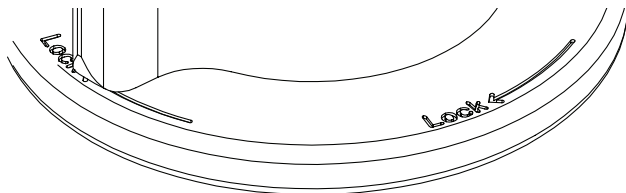
The leveling base can be installed on any tripod or center column with $\frac{3}{8}$ "-16 threaded stud. For tripods with $\frac{1}{4}$ "-20 stud, use a bushing to bring the thread size up to $\frac{3}{8}$ " (bushing available separately).

Screw leveling base onto top of tripod. Secure in place by installing included set screw or use non-permanent threadlocker fluid (Loctite 242) on the mounting stud (Loctite available separately); allow to cure overnight.



Leveling Base in Use

Use the grey locking ring to lock and unlock floating action. Rotate ring in the direction of the arrows on the base to lock (clockwise); turn counterclockwise to unlock.



Platform or Clamp?

The leveling base comes with either a platform or a patented lever-release clamp. The platform is perfect for direct mounting of a tripod head, while the clamp facilitates quick swapping from one head to another. For example, switch quickly from your ballhead to your gimbal head or video head.

Add TH-DVTL

Each head you want to swap needs a quick-release plate. For round bases, our TH-DVTL plates are ideal and come in two sizes.

Install Clamp

If you purchased the leveling base with platform, but wish to add the clamp, the exchange is easy. Use hex key* to remove platform, then use hex key and screws* to install clamp.

*Hex keys & screws included when clamp is purchased separately. Partially open clamp jaw in order to properly align hole in moving jaw with mounting hole underneath.

