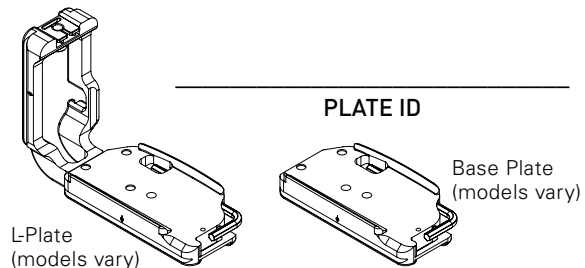




1146 Farmhouse Ln, San Luis Obispo, CA 93401 USA  
1-805-528-6321 | 1-888-777-5557  
www.ReallyRightStuff.com

## MODULAR SLIDING L-PLATES with STRAP BOSS ANCHOR



### Base Plate or L-Plate

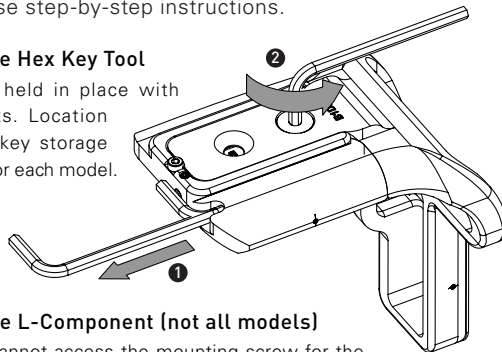
Modular sliding L-plates with strap boss anchors consist of three pieces: a base plate, an L-component, and a strap boss anchor. Use only the base plate, or add the L-component and anchor to create the L-plate. The anchor can be considered optional, but using it provides the best possible support.

## INSTALLATION

Follow steps 1 & 3 to install base plate. If you purchased the L-plate, you may need to disassemble the two pieces. Follow these step-by-step instructions.

### 1 Remove Hex Key Tool

Tool is held in place with magnets. Location of hex key storage varies for each model.

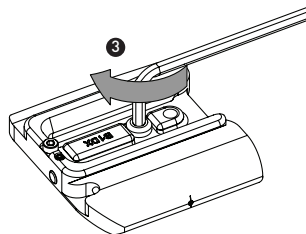


### 2 Remove L-Component (not all models)

If you cannot access the mounting screw for the base plate, use hex key to loosen and remove L-component mounting screw.

### 3 Install Plate

Fit plate to bottom of camera body. Use hex key to tighten captive mounting screw.



### 4 Remove Neck Strap

The neck strap must be removed from the camera in order to install the L-plate with the Strap Boss Anchor. The Anchor can be considered optional, but using it provides the best possible support. Our patent-pending Anchor clamps the strap boss in three different ways, providing superior security over simple bolt-on anchors. The neck strap can be re-installed by threading it through the Strap Boss Anchor after the L-plate is installed.

### 5 Align L-Component

Proper alignment can be achieved by first hooking the Strap Boss Anchor to the camera's strap boss. Then guide the L-component into the slot in the base plate. Secure the L-component to the base plate before coming back to tighten the Strap Boss Anchor screw.



## BASE PLATE REMOVAL

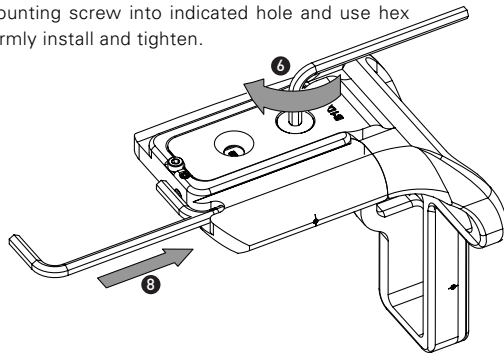
When removing the base plate, **take care to pull the plate away from the body of the camera as the captive screw is being loosened.** This prevents the threads of the captive screw from damaging the slot or threaded socket in the plate. If the screw needs to be removed from the plate after it is removed from the camera, locate the screw at the threaded socket or threaded end of the slot and carefully guide the screw threads into female threads in the plate.

## GUARANTEE

ALL REALLY RIGHT STUFF BRAND PRODUCTS ARE GUARANTEED TO THE ORIGINAL PURCHASER TO BE FREE OF DEFECTS IN MATERIALS OR WORKMANSHIP FOR FIVE (5) YEARS FROM THE DATE OF PURCHASE. PRODUCTS WILL BE REPAIRED OR REPLACED AT OUR OPTION.

### 6 Secure L-Component

Push the L-Component all the way to the end of the slot. Insert flat head mounting screw into indicated hole and use hex key to firmly install and tighten.



### 7 Secure Strap Boss Anchor

Begin by tightening the Strap Boss Anchor screw as much as possible with your finger. Do not use the hex key to tighten the screw until it is finger tight. For final tightening, use the hex key and be patient; due to limited clearance, you may need to re-seat the hex key several times before the screw is tight.

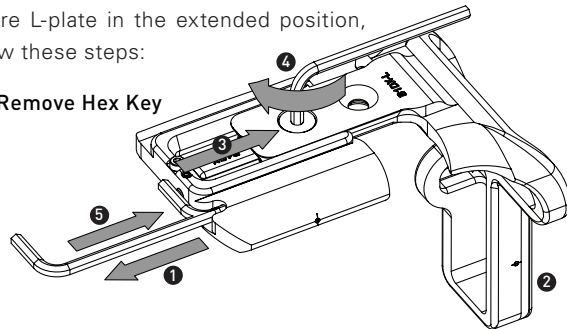
### 8 Store Hex Key Tool

Insert hex key completely into storage chamber (location of storage chamber varies by model) and align with magnet (if necessary).

## NEED ADDITIONAL PORT CLEARANCE?

The L-component can be shifted to an extended position. The extended position allows greater clearance on the side of the camera for use of cables (USB, HDMI, etc). To secure L-plate in the extended position, follow these steps:

### 1 Remove Hex Key



### 2 Loosen Strap Boss Anchor screw

Loosen, but do not completely remove the screw.

### 3 Re-Position L-Component Outward

Remove flat head mounting screw and line up secondary hole with socket underneath.

### 4 Firmly Tighten Mounting Screw

### 5 Store Hex Key