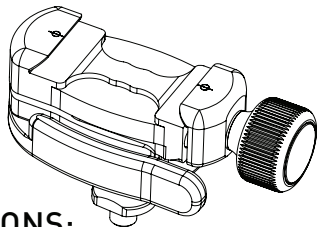




# Really Right Stuff®

1146 Farmhouse Lane, San Luis Obispo, CA 93401 USA  
1-805-528-6321 | 1-888-777-5557  
www.ReallyRightStuff.com

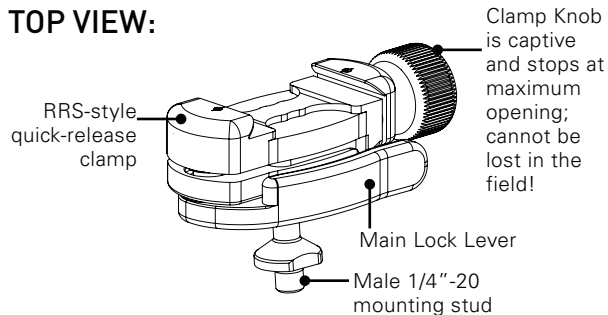
## BC-18 MICRO BALL



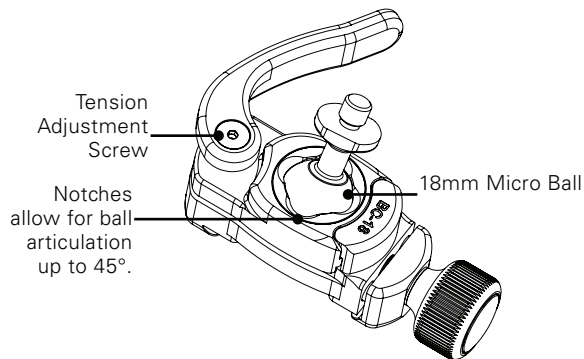
### SPECIFICATIONS:

Weight..... 3.8 ounces/109g  
Material.....6061-T6 anodized aluminum  
Mounting Stud..... Male 1/4"-20  
Articulation Range ..... ±45°  
Recommended Load Capacity..... 10 lbs/4.5kg  
Micro Ball & Socket receive patented surface treatment that improves wear-resistance, fatigue strength, corrosion resistance, lubricity and cosmetic appeal. Comes with one 5/64" hex key.

### TOP VIEW:



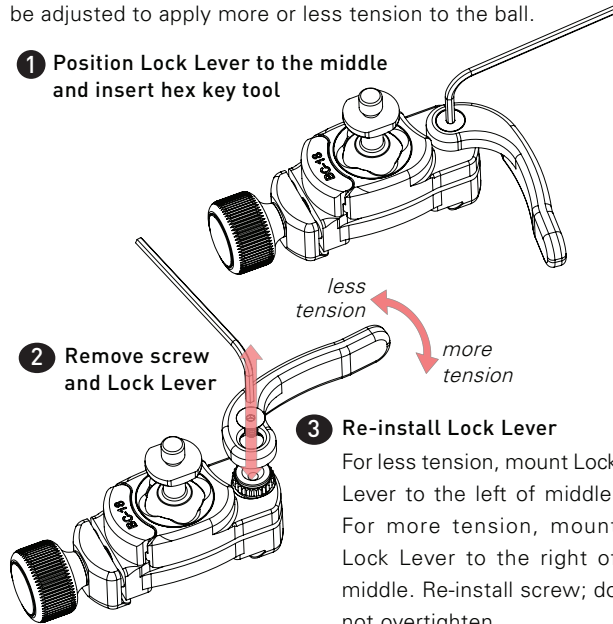
### BOTTOM VIEW:



### TENSION ADJUSTMENT

The BC-18 comes from the factory with a tension setting that is suitable for most support setups. But the Lock Lever can also be adjusted to apply more or less tension to the ball.

- 1 Position Lock Lever to the middle and insert hex key tool



- 2 Remove screw and Lock Lever

- 3 Re-install Lock Lever  
For less tension, mount Lock Lever to the left of middle. For more tension, mount Lock Lever to the right of middle. Re-install screw; do not overtighten.

## MAINTENANCE

### General Care

Keep ball free of dust and grit. Do not lubricate the ball. Do not attempt to disassemble the BC-18 Ball Clamp

### Clamp Maintenance

Our clamp delivers a lifetime of wear. However, from time to time, we recommend placing a drop of lubricant on the shaft to prevent binding. If you find that your clamp is not closing as smoothly as it used to, unscrew the knob to fully open the clamp and turn it upside down. Blow out any dirt or grit, and place a drop of lubricant on the threads.

## GUARANTEE

ALL REALLY RIGHT STUFF BRAND PRODUCTS ARE GUARANTEED TO THE ORIGINAL PURCHASER TO BE FREE OF DEFECTS IN MATERIALS OR WORKMANSHIP FOR FIVE (5) YEARS FROM THE DATE OF PURCHASE. PRODUCTS WILL BE REPAIRED OR REPLACED AT OUR OPTION.

## BC-18 POCKET 'POD KIT

At only 7½ inches tall, our BC-18 Pocket 'Pod Kit is your best travel tool. It combines the awesome load capacity of the TFA-01 Pocket 'Pod with the versatility of the BC-18 Micro Ball.

The BC-18 Pocket 'Pod Kit fits in your pocket but weighs only 9 ounces (255g). This mighty travel setup will amaze you.

BC-18 .....	\$110
TFA-01 .....	\$98
BC-18 Pocket 'Pod Kit ....	\$199

Prices subject to change.



## BC-18 with B2-FABN

Mount the BC-18 Micro Ball on any RRS-style rail or bar by pairing it with our B2-FABN mini-clamp. This combo lets you place a small ballhead wherever you need it.

B2-FABN.....\$70

Prices subject to change.



## BC-18 on any VIDEO ROD

Video Rod Support Systems typically use 15mm rods with industry standard ½"-13 female threading on each end of the rod. But most photography accessories, including our BC-18, are threaded ¼"-20. Use our "Video Rod ¼"-20 Adapter" and you can add a BC-18 Micro Ball to the end of any industry standard video rod.

