

DIPACO

***DODGE 5.9L COMMON RAIL
PARTS CATALOG***

Updated April 2010

An Employee Owned Company

ADDRESS

DIPACO, Inc.

105 East Parr Boulevard

Reno, Nevada 89512 USA

Phone: (775) 329-7511

Fax: (775) 329-9740

Toll Free Phone: (800) 648-4720

Toll Free Fax: (888) 320-7761

E-Mail: sales@dipaco.com

Internet: www.dipaco.com | www.dtechproducts.com

WHAT WE OFFER

- Providing quality fuel injection parts since 1948
- Comprehensive warranty
- Competitive pricing
- Excellence in customer service
- Company representation before and after sales
- Multi-skilled staff
- Extended trading hours
- Toll free phone and fax ordering
- Full technical support
- Quality commitment
- Superior quality inventory
- Same day shipping

INFORMATION

Copyright

DIPACO, Inc. 2010. No part of this publication may be reproduced in any form by any means without written permission.

This catalog is for reference purposes only. **DIPACO** assumes no responsibility or liability for any errors or inaccuracies that may appear in this publication. All mention of OEM names and part numbers are for reference only.

This catalog is in digital format to allow for continuous updating as we add additional parts. For current part availability, please consult our current price list or contact **DIPACO** or your **DIPACO** distributor.

SUBJECT	PAGE
Dodge 5.9L Fuel Pump	4-5
Exploded View.....	4
Parts Listing.....	5
Products And Kits.....	5
Dodge 5.9L Injectors	6-7
Exploded View.....	6
Parts Listing.....	7
Products And Kits.....	7

DIPACO

DIESEL

PARTS

U S A

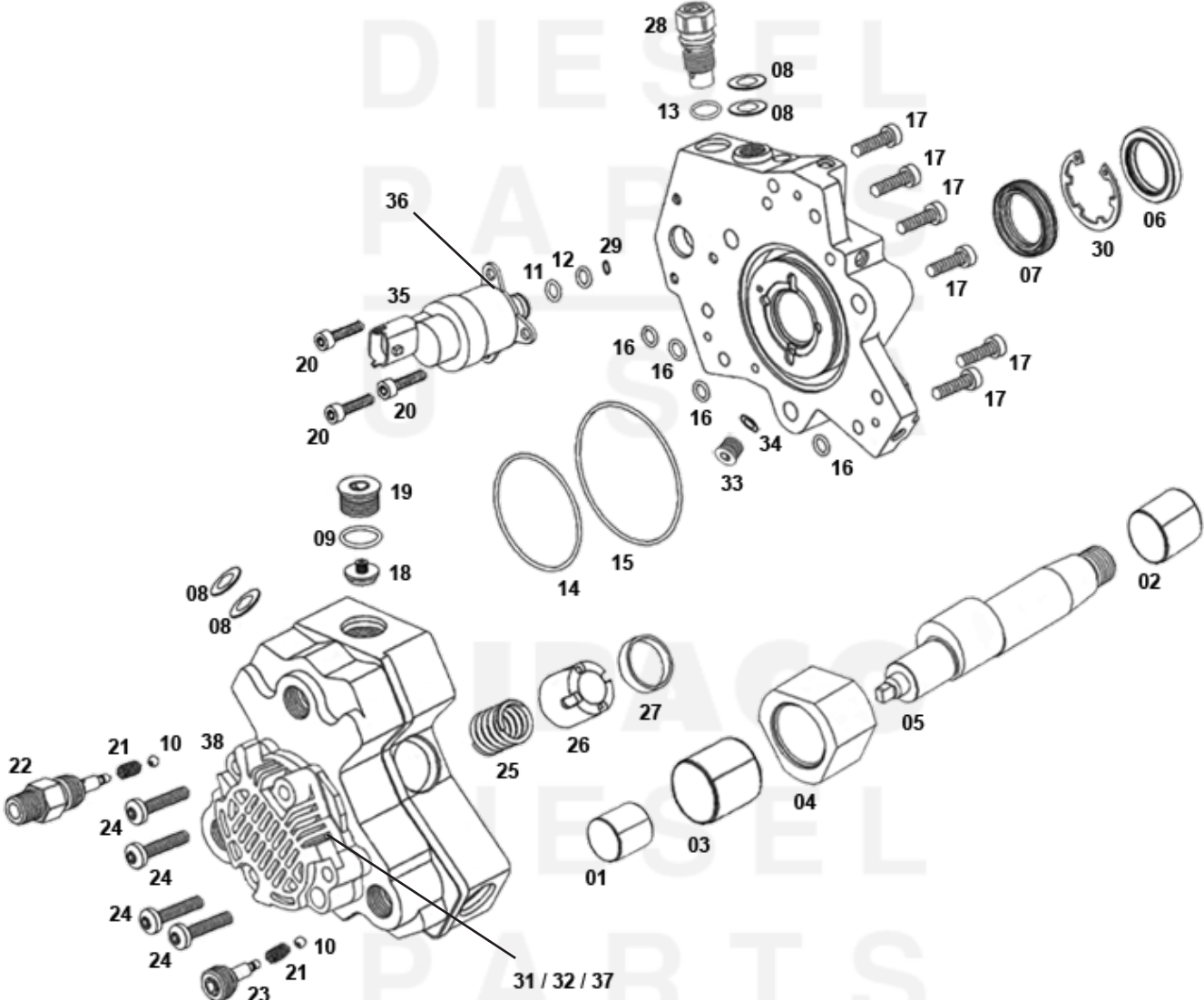
DIPACO

DIESEL

PARTS

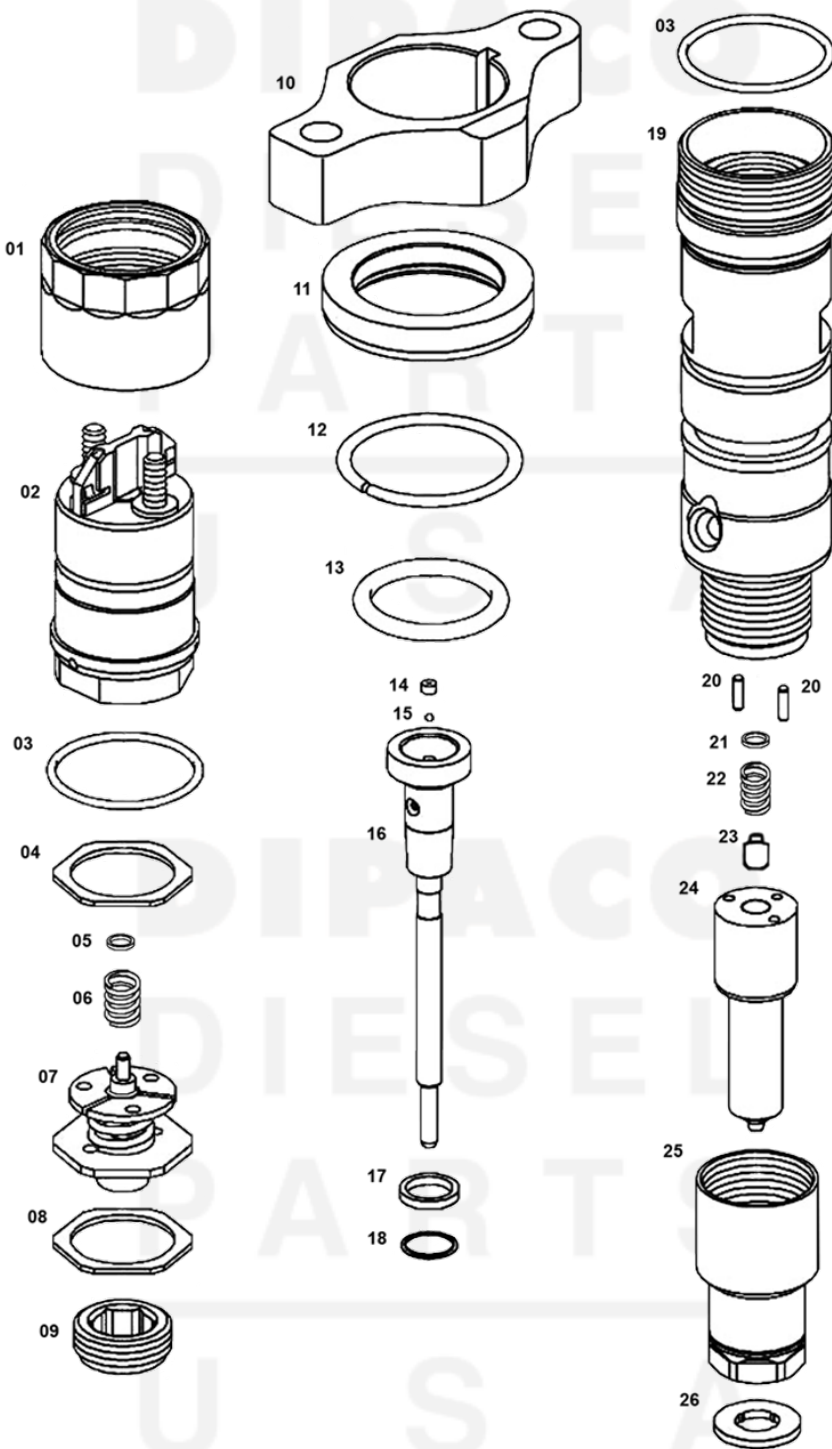
U S A

DODGE 5.9L PUMP



REF	PART	DESCRIPTION	QTY	REF	PART	DESCRIPTION	QTY
01	RTF25144	BUSHING	1		PRODUCTS		
02	RTF25145	BUSHING	1		DT5143425R	DTech DODGE 5.9L COMMON RAIL PUMP FOR MODEL YEAR 2003 - 2007	1
03	RTF25146	BUSHING	1				
04	F00N200232	CAM	1		KITS		
05	F00N200007	DRIVE SHAFT	1		RTF59001	OVERHAUL KIT	
06	F00N202337	OIL SEAL	1	06	F00N202337	OIL SEAL	1
07	F00R0P0521	OIL SEAL	1	07	F00R0P0521	OIL SEAL	1
08	D2 916 710 607	WASHER	4	09	-	O-RING	3
09	-	O-RING	3	10	1903230009	CHECK BALL	2
10	1903230009	CHECK BALL	2	11	1928300719	O-RING	1
11	1928300719	O-RING	1	12	1928300718	O-RING	1
12	1928300718	O-RING	1	13	-	O-RING	1
13	-	O-RING	1	14	F00R0P0352	O-RING	1
14	F00R0P0352	O-RING	1	15	F00R0P0341	O-RING	1
15	F00R0P0341	O-RING	1	16	F00R0P0340	O-RING	6
16	F00R0P0340	O-RING	6	31	RTF25154	OIL SEAL	1
17	F00N202191	TORX SCREW	6	32	RTF25153	MOUNTING SEAL RING	1
18	-	SUCTION VALVE	3	36	-	O-RING (INTERNAL)	1
19	-	PLUG	3	37	2440210028	O-RING (INTERNAL)	1
20	F00N202192	TORX SCREW	3		F00N200993	SUCTION VALVE KIT	
21	F00N200700	SPRING	3	13	-	O-RING	1
22	F00N200499	DISCHARGE FITTING	1	18	-	SUCTION VALVE	1
23	F00N200500	PLUG	2	19	-	PLUG	1
24	F00N202193	TORX SCREW	4				
25	F00N200141	SPRING	3				
26	F00R0P0582	TAPPET	3				
27	-	PLUG	3				
28	F00N200798	OVERFLOW VALVE	1				
29	RTF25148	WASHER	1				
30	F00R0P0520	SNAP RING	1				
31	RTF25154	OIL SEAL	1				
32	RTF25153	MOUNTING SEAL RING	1				
33	-	PLUG	1				
34	D2 916 710 605	WASHER	1				
35	0928400666	M PROP	1				
36	-	O-RING (INTERNAL)	1				
37	2440210028	O-RING (INTERNAL)	1				
38	0440020026	GEAR PUMP	1				

DODGE 5.9L INJECTOR



REF	PART	DESCRIPTION	QTY	REF	PART	DESCRIPTION	QTY
01	F00RJ00845	NUT	1		PRODUCTS		
02	F00RJ02697	STATOR	1		DT5086894R	DTech DODGE 5.9L COMMON RAIL INJECTOR FOR MODEL YEAR 2003 - 2004.5	1
03	RTF25106	O-RING	2		DT5135790R	DTech DODGE 5.9L COMMON RAIL INJECTOR FOR MODEL YEAR 2004.5 - 2007	1
04	RTF25182	ARMATURE SHIM KIT (1.25 - 1.35 MM)	1				
05	RTF25185	ARMATURE SPRING SHIM KIT (1.2 - 1.7 MM)	1				
06	F00RJ00168	SPRING	1				
07	F00RJ02517	ARMATURE ASSEMBLY	1				
08	RTF25181	ARMATURE SHIM KIT (1.0 - 1.1 MM)	1				
08	RTF25180	ARMATURE SHIM KIT (0.9 - 1.0 MM)	1		KITS		
09	F00RJ00840	NUT	1		RTF25151	INJECTOR MOUNTING KIT	
10	F00RJ00569	FLANGE	1	13	RTF25152	O-RING	1
11	F00RJ00343	RING	1	27	RTF25105	O-RING	1
12	F00RJ00342	RETAINING RING	1	26	D3920174	NOZZLE WASHER	1
13	RTF25152	O-RING	1		RTF25168	INJECTOR REPAIR KIT	
14	F00VC21001	CHECK BALL CAGE	1	15	RTF25083	CHECK BALL	6
15	RTF25083	CHECK BALL	1	03	RTF25106	SOLENOID O-RING	12
16	RTF25149	CONTROL VALVE ASSEMBLY	1	17	RTF25140	SEAL RING	6
17	RTF25140	SEAL RING	1	18	RTFF00VC17105	WASHER	6
18	RTFF00VC17105	WASHER	1	26	D3920174	NOZZLE WASHER	6
19	-	BODY	1	27	RTF25105	O-RING	6
20	RTF25055	DOWEL PIN	2	13	RTF25152	O-RING	6
21	RTF25184	VOP SHIM KIT (1.2 - 1.7 MM)	1				
22	F00VC09023	SPRING	1				
23	RTF25183	LIFT PIN KIT (8.40 - 8.50 MM)	1				
24	RTF0433175309	NOZZLE (MODEL YEAR 2003 - 2004.5)	1				
24	RTF0433175470	NOZZLE (MODEL YEAR 2004.5 - 2007)	1				
25	F00RJ00841	NOZZLE RETAINING NUT	1				
26	D3920174	NOZZLE WASHER	1				
27	RTF25105	O-RING (NOT PICTURED)	1				

DIPACO

An Employee Owned Company

105 East Parr Boulevard, Reno, NV 89512 USA
Telephone: (775) 329-7511 ■ Fax: (775) 329-9740
www.dipaco.com ■ www.dtechproducts.com