



1146 Farmhouse Lane, San Luis Obispo, CA 93401 USA  
 1-805-528-6321 | 1-888-777-5557  
 www.ReallyRightStuff.com

# PG-01 PANO-GIMBAL HEAD

## PG-01

- PG-01 VA
- PG-01 HB with Flat Base
- PG-01 HB with Leveling Base

## CLAMP

- B2-40 LR
- B2-mAS

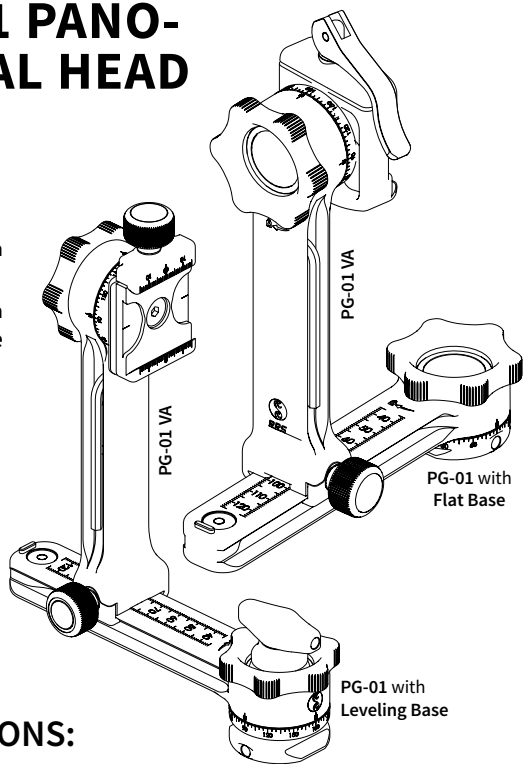
## NODAL SLIDE

- MPR-CL

## SPECIFICATIONS:

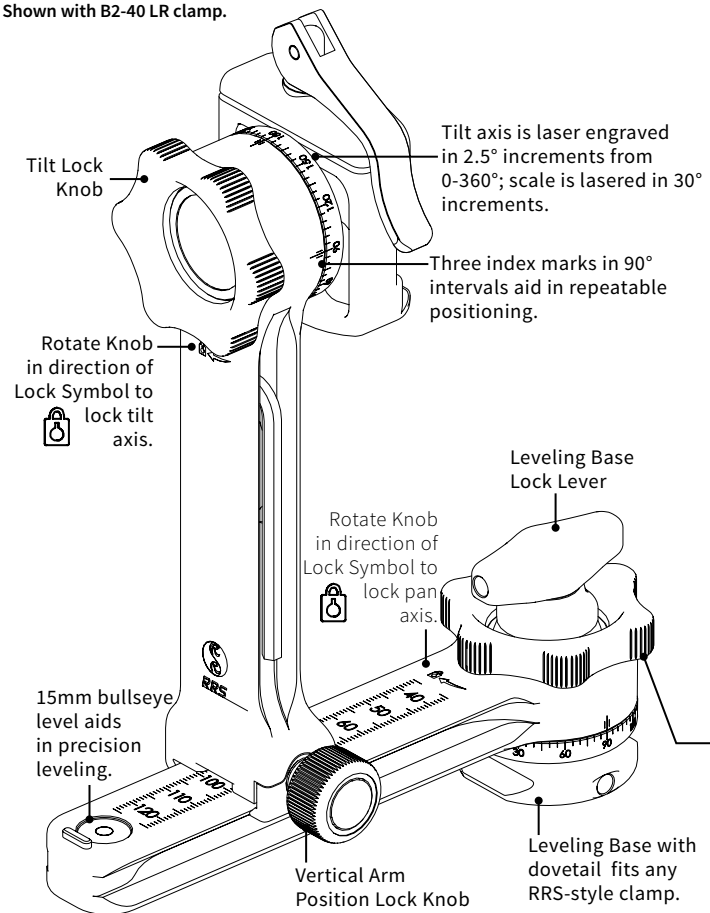
Load Capacity.....8 pounds / 3.6kg

Mounting socket.....centered 3/8"-16 in base



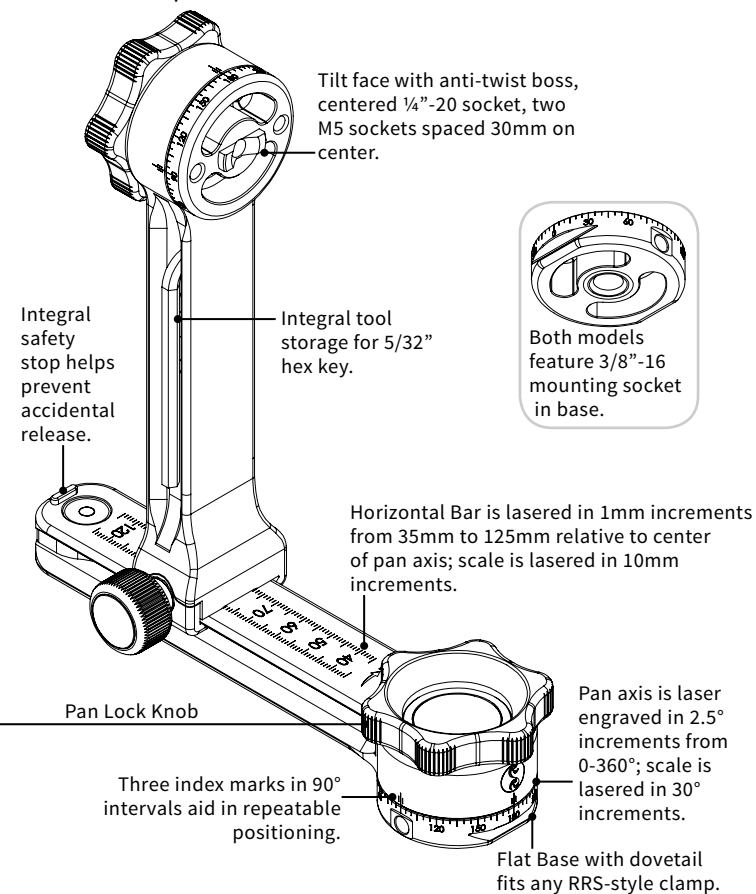
## PG-01 with LEVELING BASE

Shown with B2-40 LR clamp.



## PG-01 with FLAT BASE

Shown with no clamp installed.



Both models feature 3/8"-16 mounting socket in base.

## MAINTENANCE

### GENERAL CARE

The components are finished with a protective anodized plating that protects them from corrosion and mild abrasion. It does not protect from scraping against or dropping on rocks/concrete/etc. Note that the Tilt, Pan, and Leveling Base lock knobs are **not** captive; they can be completely removed if you continue to unscrew them. We recommend storing the PG-01 in our optional OpTech® Large padded pouch.

### Cleaning

If the PG-01 is fouled, dry dust and dirt can be blown off and/or wiped off with a soft cloth. **If contaminated by salt water, the unit should be fully disassembled, cleaned with fresh water, thoroughly dried, then greased where necessary before re-assembly.** Do not disassemble in the field where you are prone to lose small parts.

### LUBRICATION

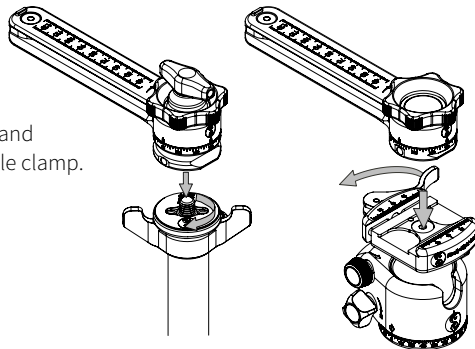
Grease is applied at the factory to all knob threads, and also to the conical rings inside the pan and tilt mechanisms. If unit is disassembled for cleaning, apply a light coat of silicone grease to these clean surfaces during re-assembly.

### GUARANTEE

ALL REALLY RIGHT STUFF BRAND PRODUCTS ARE GUARANTEED TO THE ORIGINAL PURCHASER TO BE FREE OF DEFECTS IN MATERIALS OR WORKMANSHIP FOR FIVE (5) YEARS FROM THE DATE OF PURCHASE. PRODUCTS WILL BE REPAIRED OR REPLACED AT OUR OPTION.

## INSTALL HORIZONTAL BASE

- Install onto any tripod with a 3/8"-16 stud.
- Or, use dovetail base and mount in any RRS-style clamp.



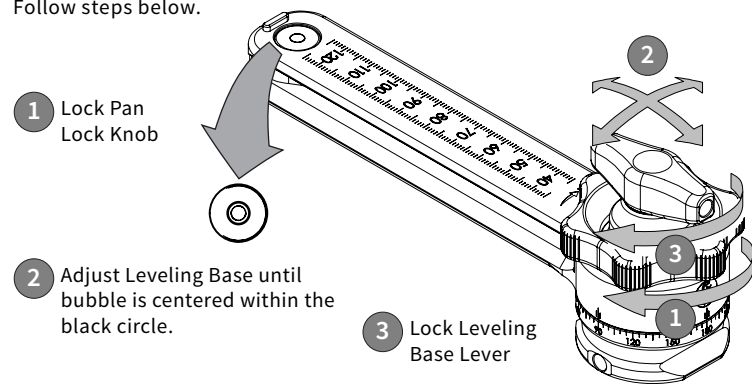
## LEVELING

### PG-01 with Flat Base

Since Leveling Base is not included, level the ballhead or tripod.

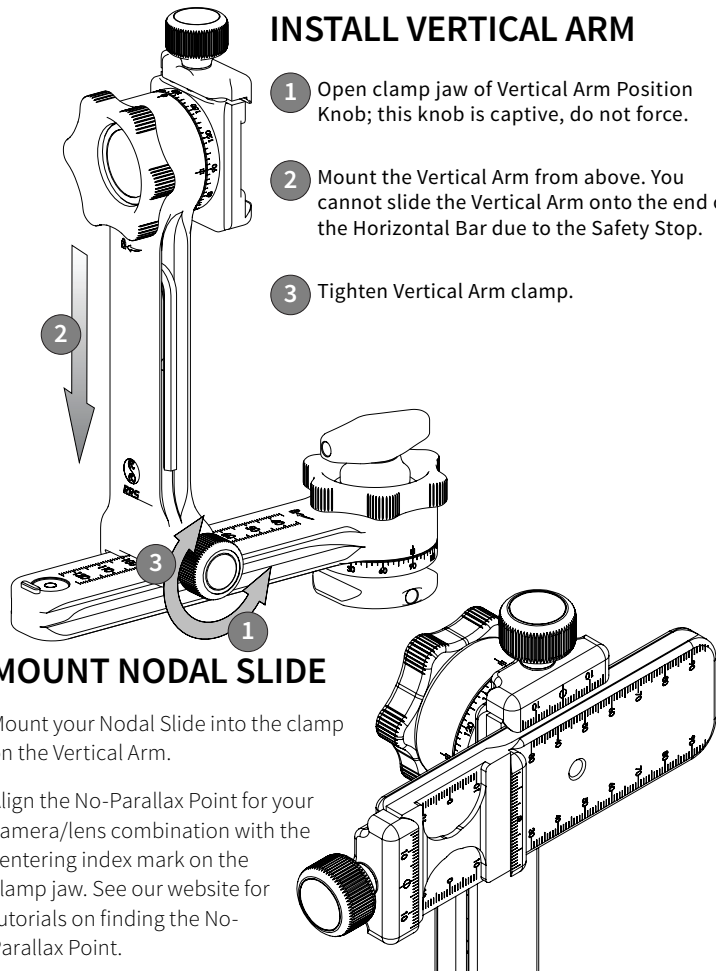
### PG-01 with Leveling Base

Follow steps below.



## INSTALL VERTICAL ARM

- 1 Open clamp jaw of Vertical Arm Position Knob; this knob is captive, do not force.
- 2 Mount the Vertical Arm from above. You cannot slide the Vertical Arm onto the end of the Horizontal Bar due to the Safety Stop.
- 3 Tighten Vertical Arm clamp.



## MOUNT NODAL SLIDE

Mount your Nodal Slide into the clamp on the Vertical Arm.

Align the No-Parallax Point for your camera/lens combination with the centering index mark on the clamp jaw. See our website for tutorials on finding the No-Parallax Point.

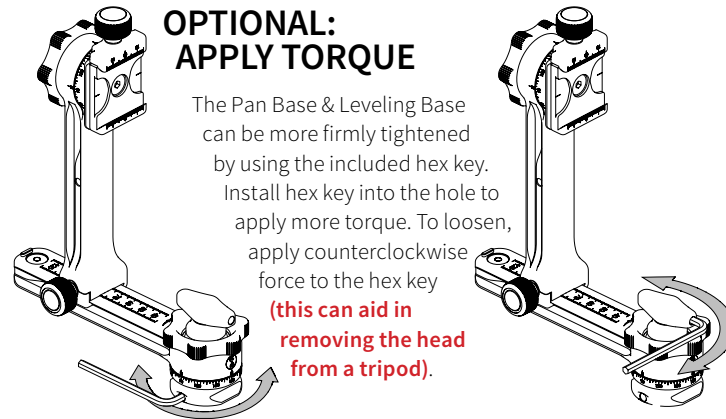
## MOUNT CAMERA

Mount your camera (must have RRS-style quick-release plate) into clamp on the Nodal Slide. Align centering index mark on plate with centering index mark on the clamp jaw. Securely tighten clamp.



## OPTIONAL: APPLY TORQUE

The Pan Base & Leveling Base can be more firmly tightened by using the included hex key. Install hex key into the hole to apply more torque. To loosen, apply counterclockwise force to the hex key (this can aid in removing the head from a tripod).

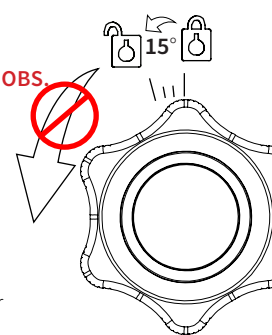


## ! PAN/TILT KNOBS IN USE

**DO NOT OVER-LOOSEN YOUR PAN OR TILT KNOBS.**

When Pan or Tilt is fully locked, **turn the Lock Knob only 15° to fully unlock.** If you over-loosen the Lock Knobs, there will be play between the Pan/Tilt mechanisms and the arms.

When shooting panoramas with your PG-01, we recommend that you lock both the Pan & Tilt for each shot.



## HOW TO PACK

### Without Nodal Slide

Store PG-01 components as a single unit to prevent damage. Secure the dovetail base of the Horizontal Base into the clamp on the Vertical Arm. Add our optional OpTech® Large pouch for convenient storage.

### With Nodal Slide

Store PG-01 components as a single unit to prevent damage. Secure the dovetail base of the Horizontal Base into the clamp on the Nodal Slide. Then secure the dovetail rail of the Nodal Slide into the clamp on the Vertical Arm. Store in pouch.

