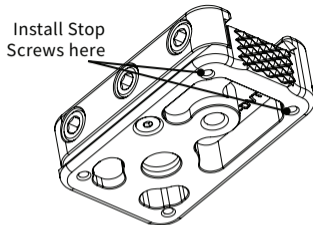


## OPTIONAL

Install both stop screws\* using included 2.5mm hex key. Stop screws ensure plate won't slip during heavy recoil.

**⚠ WARNING:** If using optional stops screws, position plate in clamp with stop screws facing forward and **beyond front edge of clamp**. Stop screws must completely clear front edge of clamp.



## GUARANTEE

ALL REALLY RIGHT STUFF BRAND PRODUCTS ARE GUARANTEED TO THE ORIGINAL PURCHASER TO BE FREE OF DEFECTS IN MATERIALS OR WORKMANSHIP FOR FIVE (5) YEARS FROM THE DATE OF PURCHASE. PRODUCTS WILL BE REPAIRED OR REPLACED AT OUR OPTION.

®, ™, © 1990-2017 Really Right Stuff, Inc. All rights reserved.



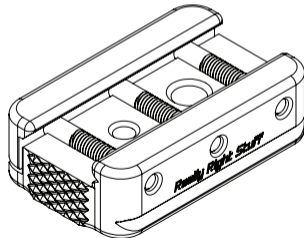
1146 Farmhouse Lane, San Luis Obispo, CA 93401 USA  
1-805-528-6321 | 1-888-777-5557  
[www.ReallyRightStuff.com](http://www.ReallyRightStuff.com)

## NATO-DVTL

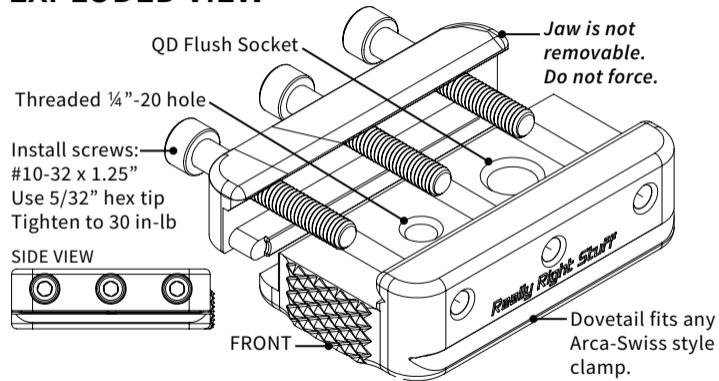
### MEETS NATO STANAG 4694 SPEC

Adds RRS-style quick-release functionality to your NATO Accessory Rail and Mil Std 1913 Picatinny

Includes M2.5 and 5/32" hex keys



## EXPLODED VIEW



## INSTALLATION

1. Loosen three #10 screws using 5/32" hex key provided until jaw is fully open (screws do not need to be completely removed).
2. Install onto any Picatinny or NATO rail, aligning screws with slots in rail (orient knurled front to face forward).
3. Lightly tighten all 3 screws using the 5/32" hex key.
4. Using a torque wrench (not included) with 5/32" hex bit, tighten screws to 30 in-lb (3.4 Nm).

