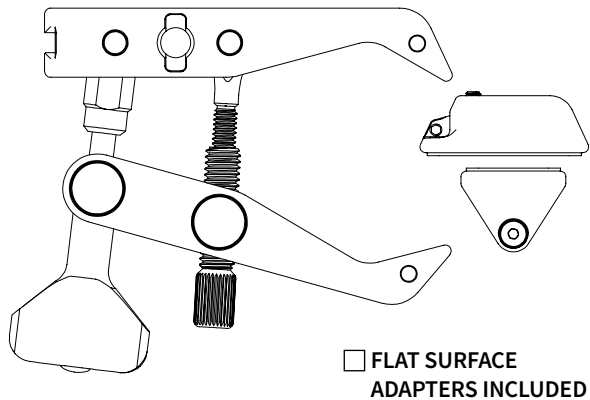




1146 Farmhouse Lane, San Luis Obispo, CA 93401 USA
 1-805-528-6321 | 1-888-777-5557
 www.ReallyRightStuff.com

MULTI-CLAMP

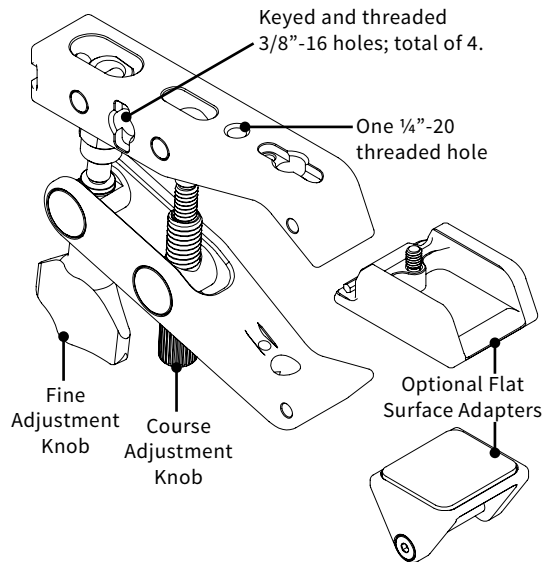


SPECIFICATIONS:

Max/Min Flat Surface Thickness2.4" (63mm) / 0" (0mm)

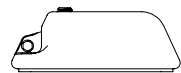
Max/Min Round Stock Thickness3.5" (89mm) / 0.6" (15mm)

FEATURES

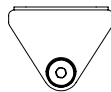


FLAT SURFACE ADAPTER INSTALLATION

The Multi-Clamp excels at grasping round features, but add the optional Flat Surface Adapters to secure the Multi-Clamp to rectangular surfaces. There are two Adapters, one for each jaw of the Multi-Clamp.

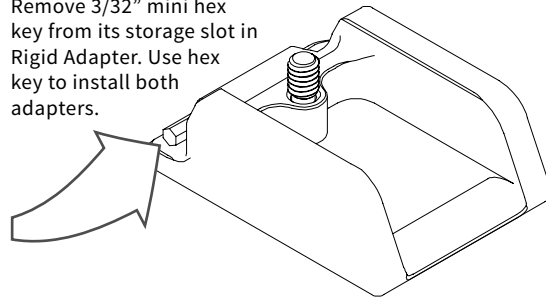


RIGID ADAPTER
 Install to Jaw opposite the Knobs

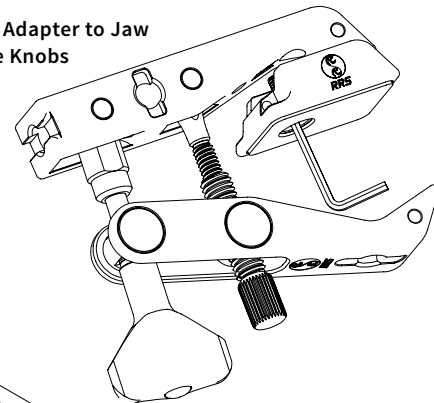


PIVOTING ADAPTER
 Install to Jaw on same side as the Knobs

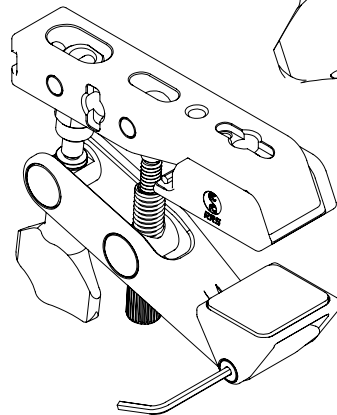
Remove 3/32" mini hex key from its storage slot in Rigid Adapter. Use hex key to install both adapters.



1 Install Rigid Adapter to Jaw opposite the Knobs



2 Install Pivoting Adapter to Jaw on same side as the Knobs



SAFARI RIG

The Multi-Clamp is at the heart of our Safari Rig. Mount our Safari Ball Clamp to the end of the Multi-Clamp, then secure the keyed neck of the Ball Clamp into the keyed socket on any Really Right Stuff monopod. The Ball Clamp can pan and articulate just like a ballhead, allowing for both height and angle adjustments for the monopod and Multi-Clamp. Our Safari Rig combines the mobility of a monopod with the stability of a tripod.



TRAVEL CLAMP KIT

Add our BC-18 Micro Ball to your Multi-Clamp to create a rugged “go anywhere” ball & clamp kit. Screw the BC-18 into the 1/4” hole in the Multi-Clamp jaw, or use a 3/8”→1/4” reducer bushing to use the other holes. Now you can mount your camera directly to poles, fences, tables, and more!



To mount BC-18 into one of the 3/8”-16 threaded holes, use a reducer bushing to bring the thread size down to 1/4”-20.



1 Install Reducer Bushing

2 Install BC-18

! WARNING

We strongly recommend using non-permanent threadlocker fluid to secure all threaded connections.



MAINTENANCE

General Care

Keep clamp free of dust and grit. Do not lubricate the ball. Do not attempt to disassemble the Multi-Clamp.

Clamp Maintenance

Our Multi-Clamp delivers a lifetime of wear. However, from time to time, we recommend placing a drop of lubricant on the knob threads to prevent binding. If you find that your clamp is not closing as smoothly as it used to, rotate the knobs to fully expose the threads. Blow out any dirt or grit, and place a drop of lubricant on the threads. Rotate the knobs to open and close the clamp in order to evenly distribute the lubricant. Wipe threads gently with lint free cloth to remove excess.

GUARANTEE

ALL REALLY RIGHT STUFF BRAND PRODUCTS ARE GUARANTEED TO THE ORIGINAL PURCHASER TO BE FREE OF DEFECTS IN MATERIALS OR WORKMANSHIP FOR FIVE (5) YEARS FROM THE DATE OF PURCHASE. PRODUCTS WILL BE REPAIRED OR REPLACED AT OUR OPTION.

®,™, © 1990-2017 Really Right Stuff, Inc. All rights reserved.