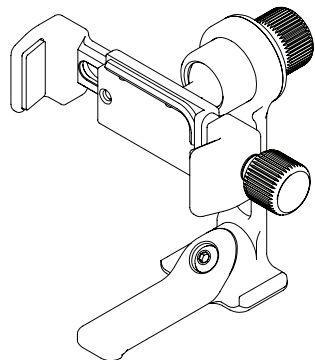
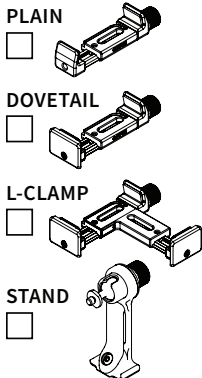




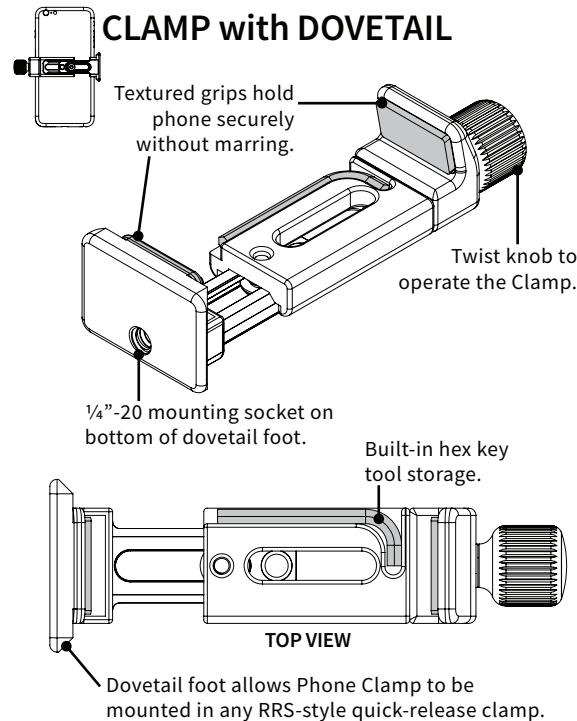
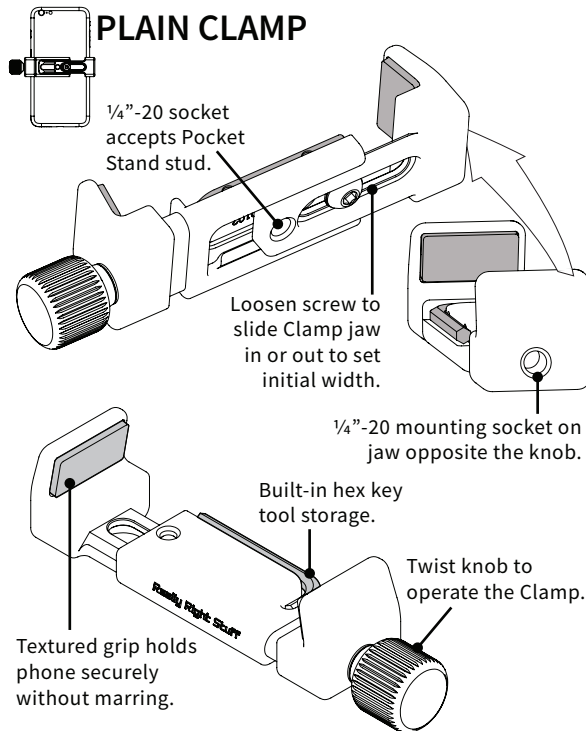
1146 Farmhouse Lane, San Luis Obispo, CA 93401  
 1-805-528-6321 | 1-888-777-5557  
 www.ReallyRightStuff.com

## PHONE CLAMP & STAND



### SPECIFICATIONS:

Minimum Phone Width ..... 2.3 inches / 59mm  
 Maximum Phone Width ..... 3.4 inches / 87mm  
 Weight of Pocket Stand ..... 3.7 ounces / 105g  
 Material ..... 6061-T6 anodized aluminum



## MAINTENANCE

### General Care

Keep all parts free of dust and grit. All knobs are captive; do not attempt to remove or disassemble.

### Clamp Maintenance

Keep the clamp clean by periodically wiping the textured grips, the sliding jaw slot, and clamp jaw with a clean, damp cloth.

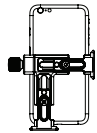
### Pocket Stand Maintenance

Micro Ball & Socket receive patented surface treatment that improves wear-resistance, fatigue strength, corrosion resistance, and lubricity. Lubrication should not be necessary. However, if ball no longer feels as smooth, apply a very light coat of grease; articulate the ball, then wipe clean. If folding foot feels loose, tighten screw until firm.

## GUARANTEE

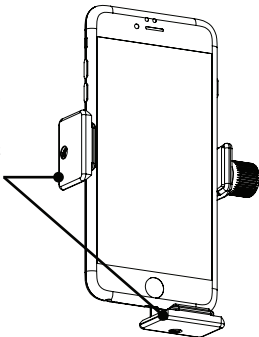
ALL REALLY RIGHT STUFF BRAND PRODUCTS ARE GUARANTEED TO THE ORIGINAL PURCHASER TO BE FREE OF DEFECTS IN MATERIALS OR WORKMANSHIP FOR FIVE (5) YEARS FROM THE DATE OF PURCHASE. PRODUCTS WILL BE REPAIRED OR REPLACED AT OUR OPTION.

®, ™, © 1990-2016 Really Right Stuff, LLC. All rights reserved.



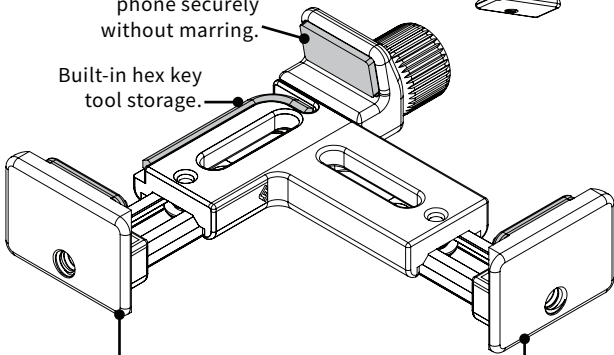
## L-CLAMP

L-Clamp has two sets of dovetails for quick & easy changes in orientation.



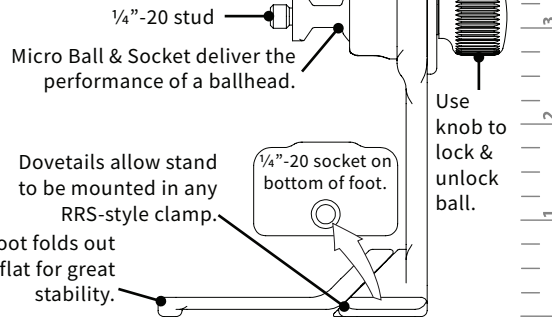
Textured grips hold phone securely without marring.

Built-in hex key tool storage.

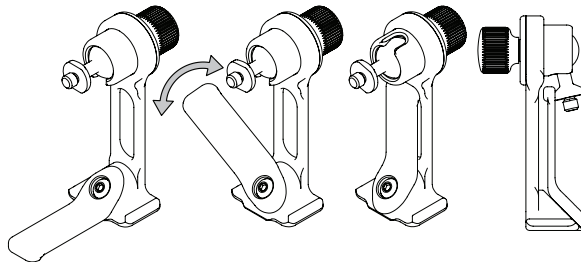


Two sets of dovetails allow Phone Clamp to be mounted in any RRS-style quick-release clamp.

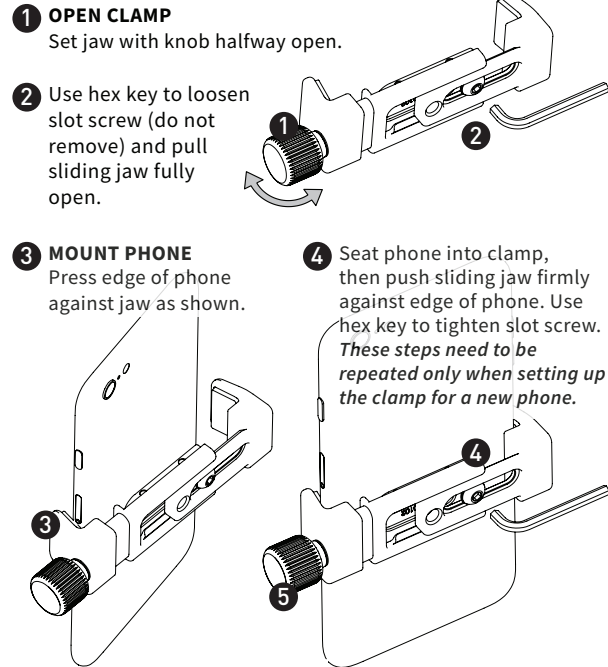
## POCKET STAND



**FOLD & GO!**  
Pocket Stand foot folds up and stores out of the way. Detents allow foot to snap into place. Solid support that fits in your pocket!



## SET CLAMP WIDTH FOR YOUR PHONE



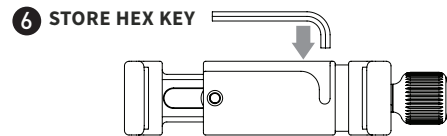
**1 OPEN CLAMP**  
Set jaw with knob halfway open.

**2** Use hex key to loosen slot screw (do not remove) and pull sliding jaw fully open.

**3 MOUNT PHONE**  
Press edge of phone against jaw as shown.

**4** Seat phone into clamp, then push sliding jaw firmly against edge of phone. Use hex key to tighten slot screw. *These steps need to be repeated only when setting up the clamp for a new phone.*

**5 OPERATE CLAMP**  
Twist knob to secure or release phone.



## IN USE

### Pocket Stand

Extend foot to use the Pocket Stand to support your phone. Or fold the foot up and mount the dovetail base into any RRS-style clamp.

### Optional Mounting Ideas

The RRS Phone Clamp has multiple 1/4"-20 sockets, so it can be used with any accessory that has 1/4"-20 studs.

